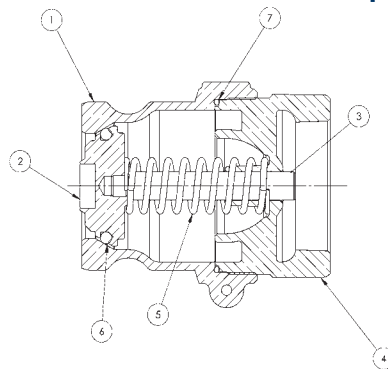


## DBA Cam and Groove Dry Disconnects Aluminum and Stainless Adapters



### 1½" aluminum adapter(DBA6x), zinc adapter (DBA1x)

#### Bill of Materials

##### DBA1x-150, DBA6x-150 & DBA1x-1520

Item #	Description	Part #	Qty
1A	aluminum adapter body (DBA6x-150)	<b>40129AL</b>	1
1B	zinc adapter body (DBA1x-150 & DBA1x-1520)	<b>40129ZA</b>	1
2	poppet	<b>40130AL</b>	1
3A	stem (DBA1x-150 & DBA1x-1520)	<b>40133BR</b>	1
3B	stem (for DBA6x-150)	<b>40133SS-001</b>	1
4A	thread end body	<b>40131AL</b>	1
4B	thread end body (for DBA1x1520)	<b>40303AL</b>	1
5	poppet spring	<b>40132SS</b>	1
6A	poppet O-ring Buna	use kit <b>DBAK1-150</b>	1
6B	poppet O-ring FKM	use kit <b>DBAK2-150</b>	1
6C	poppet O-ring PTFE/Silicone	use kit <b>DBAK3-150</b>	1
6D	poppet O-ring EPDM	use kit <b>DBAK4-150</b>	1
6E	poppet O-ring Kalrez®	use kit <b>DBAK6-150</b>	1
6F	poppet O-ring PTFE/FKM	use kit <b>DBAK7-150</b>	1
7A	body O-ring Buna	use kit <b>DBAK1-150</b>	1
7B	body O-ring FKM	use kit <b>DBAK2-150</b>	1
7C	body O-ring PTFE	use kit <b>DBAK3-150, DBAK6-150 or DBAK7-150</b>	1
7D	body O-ring EPDM	use kit <b>DBAK4-150</b>	1

### 2" aluminum adapter(DBA6x), zinc adapter (DBA1x)

#### Bill of Materials

##### DBA1x-200, DBA6x-200

Item #	Description	Part #	Qty
1A	aluminum adapter body (DBA6x-200)	<b>40001AL</b>	1
1B	zinc adapter Body (DBA1x-200)	<b>40001ZA</b>	1
2	poppet	<b>40002AL</b>	1
3A	stem (for DBA1x-200)	<b>40005BR</b>	1
3B	stem (for DBA6x-200)	<b>40005SS-001</b>	1
4	thread end body	<b>40003AL</b>	1
5	poppet spring	<b>40004SS</b>	1
6A	poppet O-ring Buna	use kit <b>DBAK1-200</b>	1
6B	poppet O-ring FKM	use kit <b>DBAK2-200</b>	1
6C	poppet O-ring PTFE/Silicone	use kit <b>DBAK3-200</b>	1
6D	poppet O-ring EPDM	use kit <b>DBAK4-200</b>	1
6E	poppet O-ring Kalrez®	use kit <b>DBAK6-200</b>	1
6F	poppet O-ring PTFE/FKM	use kit <b>DBAK7-200</b>	1
7A	body O-ring Buna	use kit <b>DBAK1-200</b>	1
7B	body O-ring FKM	use kit <b>DBAK2-200</b>	1
7C	body O-ring PTFE	use kit <b>DBAK3-200, DBAK6-200 or DBAK7-200</b>	1
7D	body O-ring EPDM	use kit <b>DBAK4-200</b>	1

### 1½" stainless adapter, Bill of Materials DBA7x-150

Item #	Description	Part #	Qty
1	stainless adapter body	<b>40129SS</b>	1
2	poppet	<b>40130SS</b>	1
3	stem	<b>40133SS-002</b>	1
4	thread end body	<b>40131SS</b>	1
5	poppet spring	<b>40132SS</b>	1
6A	poppet O-ring Buna	use kit <b>DBAK1-150</b>	1
6B	poppet O-ring FKM	use kit <b>DBAK2-150</b>	1
6C	poppet O-ring PTFE/Silicone	use kit <b>DBAK3-150</b>	1
6D	poppet O-ring EPDM	use kit <b>DBAK4-150</b>	1
6E	poppet O-ring Kalrez®	use kit <b>DBAK6-150</b>	1
6F	poppet O-ring PTFE/FKM	use kit <b>DBAK7-150</b>	1
7A	body O-ring Buna	use kit <b>DBAK1-150</b>	1
7B	body O-ring FKM	use kit <b>DBAK2-150</b>	1
7C	body O-ring PTFE	use kit <b>DBAK3-150, DBAK6-150 or DBAK7-150</b>	1
7D	body O-ring EPDM	use kit <b>DBAK4-150</b>	1

### 2" stainless adapter, Bill of Materials DBA7x-200

Item #	Description	Part #	Qty
1	stainless adapter body	<b>40001SS</b>	1
2	poppet	<b>40002SS</b>	1
3	stem	<b>40005SS-002</b>	1
4	thread end body	<b>40003SS</b>	1
5	poppet spring	<b>40004SS</b>	1
6A	poppet O-ring Buna®	use kit <b>DBAK1-200</b>	1
6B	poppet O-ring FKM	use kit <b>DBAK2-200</b>	1
6C	poppet O-ring PTFE/Silicone	use kit <b>DBAK3-200</b>	1
6D	poppet O-ring EPDM	use kit <b>DBAK4-200</b>	1
6E	poppet O-ring Kalrez®	use kit <b>DBAK6-200</b>	1
6F	poppet O-ring PTFE/FKM	use kit <b>DBAK7-200</b>	1
7A	body O-ring Buna	use kit <b>DBAK1-200</b>	1
7B	body O-ring FKM	use kit <b>DBAK2-200</b>	1
7C	body O-ring PTFE	use kit <b>DBAK3-200, DBAK6-200 or DBAK7-200</b>	1
7D	body O-ring EPDM	use kit <b>DBAK4-200</b>	1

Product instruction sheets and technical data can be viewed on our website at [dixongroupcanada.com](http://dixongroupcanada.com) by selecting the 'Resources' menu.

## DBA Cam and Groove Dry Disconnects Aluminum and Stainless Adapters

### 3" aluminum adapter(DBA6x), zinc adapter(DBA1x)

#### Bill of Materials

#### DBA1x-300, DBA6x-300

Item #	Description	Part #	Qty
1	aluminum adapter body	<b>40180AL</b>	1
1B	zinc adapter body	<b>40180ZA</b>	1
2	poppet	<b>40182AL</b>	1
3	stem	<b>40183BR</b>	1
4	thread end body	<b>40181AL</b>	1
5	poppet spring	<b>40184SS</b>	1
6A	poppet O-ring Buna	use kit <b>DBAK1-300</b>	1
6B	poppet O-ring FKM	use kit <b>DBAK2-300</b>	1
6C	poppet O-ring PTFE/Silicone	use kit <b>DBAK3-300</b>	1
6D	poppet O-ring EPDM	use kit <b>DBAK4-300</b>	1
6E	poppet O-ring Kalrez®	use kit <b>DBAK6-300</b>	1
6F	poppet O-ring PTFE/FKM	use kit <b>DBAK7-300</b>	1
6G	poppet O-ring FKM - B	use kit <b>DBAK9-300</b>	1
7A	body O-ring Buna	use kit <b>DBAK1-300</b>	1
7B	body O-ring FKM	use kit <b>DBAK2-300</b>	1
7C	body O-ring PTFE	use kit <b>DBAK3-300, DBAK6-300 or DBAK7-300</b>	1
7D	body O-ring EPDM	use kit <b>DBAK4-300</b>	1
7E	body O-ring FKM - B	use kit <b>DBAK9-300</b>	1

### 3" stainless adapter

#### Bill of Materials

#### DBA7x-300

Item #	Description	Part #	Qty
1	stainless adapter body	<b>40180SS</b>	1
2	poppet	<b>40182SS</b>	1
3	stem	<b>40183SS</b>	1
4	thread end body	<b>40181SS</b>	1
5	poppet spring	<b>40184SS</b>	1
6A	poppet O-ring Buna	use kit <b>DBAK1-300</b>	1
6B	poppet O-ring FKM	use kit <b>DBAK2-300</b>	1
6C	poppet O-ring PTFE/Sili- cone®	use kit <b>DBAK3-300</b>	1
6D	poppet O-ring EPDM	use kit <b>DBAK4-300</b>	1
6E	poppet O-ring Kalrez®	use kit <b>DBAK6-300</b>	1
6F	poppet O-ring PTFE/FKM	use kit <b>DBAK7-300</b>	1
6G	Poppet O-ring FKM - B	use kit <b>DBAK9-300</b>	1
7A	body O-ring Buna	use kit <b>DBAK1-300</b>	1
7B	body O-ring FKM	use kit <b>DBAK2-300</b>	1
7C	body O-ring PTFE	use kit <b>DBAK3-300</b>	1
7D	body O-ring EPDM	use kit <b>DBAK4-300</b>	1
7E	body O-ring FKM - B	use kit <b>DBAK9-300</b>	1

### Repair Kits

Part #	Description	Includes Item #
<b>DBAK1-150</b>	1½" replacement Buna seals	6A, 7A
<b>DBAK2-150</b>	1½" replacement FKM seals	6B, 7B
<b>DBAK3-150</b>	1½" replacement PTFE/Silicone® seals	6C, 7C
<b>DBAK4-150</b>	1½" replacement EPDM seals	6D, 7D
<b>DBAK6-150</b>	1½" replacement PTFE/Kalrez® seals	6E, 7C
<b>DBAK7-150</b>	1½" replacement PTFE/FKM seals	6F, 7C
<b>DBAK1-200</b>	2" replacement Buna seals	6A, 7A
<b>DBAK2-200</b>	2" replacement FKM seals	6B, 7B
<b>DBAK3-200</b>	2" replacement PTFE/Silicone® seals	6C, 7C
<b>DBAK4-200</b>	2" replacement EPDM seals	6D, 7D
<b>DBAK6-200</b>	2" replacement PTFE/Kalrez® seals	6E, 7C
<b>DBAK7-200</b>	2" replacement PTFE/FKM seals	6F, 7C
<b>DBAK1-300</b>	3" replacement Buna seals	6A, 7A
<b>DBAK2-300</b>	3" replacement FKM seals	6B, 7B
<b>DBAK3-300</b>	3" replacement PTFE/Silicone® seals	6C, 7C
<b>DBAK4-300</b>	3" replacement EPDM seals	6D, 7D
<b>DBAK6-300</b>	3" replacement PTFE/Kalrez® seals	6E, 7C
<b>DBAK7-300</b>	3" replacement PTFE/FKM seals	6F, 7C
<b>DBAK9-300</b>	3" replacement FKM - B seals	6G, 7E

Product instruction sheets and technical data can be viewed on our website at [dixongroupcanada.com](http://dixongroupcanada.com) by selecting the 'Resources' menu.