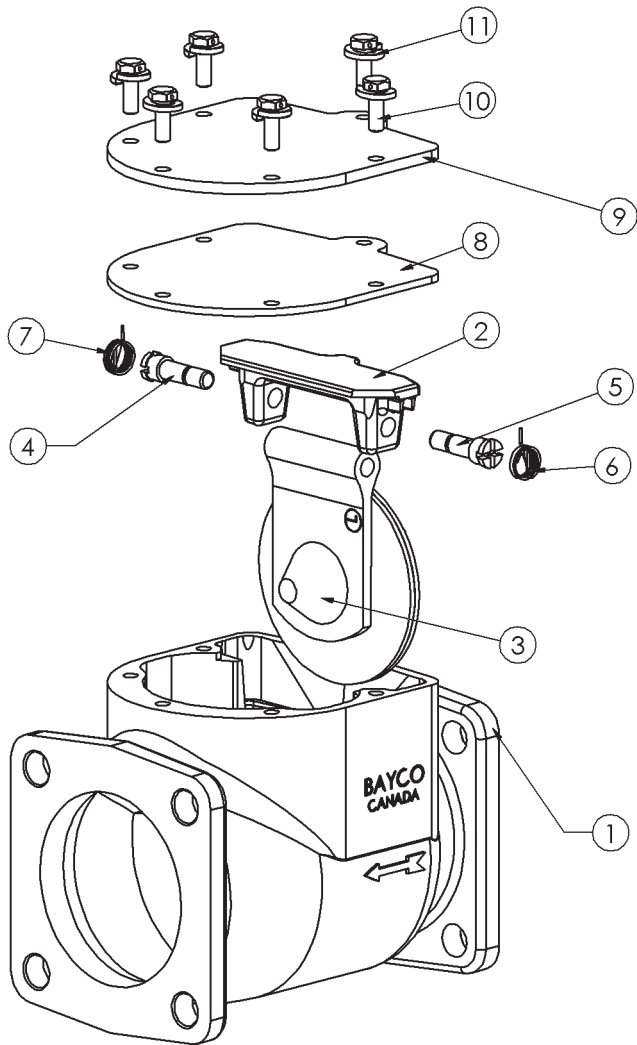


## Bayco High Flow 3030 Series 3" Swing Check Valves Round Flange, Square Flange, Threaded and Grooved Ends



Dry Bulk  
Replacement Parts

### Bill of Materials

Item #	Description	Part #	Qty
1	swing check body	---	1
2	flapper valve yoke	<b>341595</b>	1
3A	valve flapper assembly with silicone seal	use kit <b>3090RK2</b>	1
3B	valve flapper assembly with metal seal	use kit <b>3091RK1</b>	1
3C	valve flapper assembly with EPDM seal	use kit <b>3030RK2</b>	1
4	right hand shaft	<b>390798</b>	1
5	left hand shaft	<b>390799</b>	1
6	left hand spring	use kit <b>3030RK3</b>	1
7	right hand spring	use kit <b>3030RK3</b>	1
8A	cover gasket silicone	<b>112257</b>	1
8B	cover gasket EPDM	<b>111932</b>	1
9	cover	<b>341611</b>	1
10	bolt	use kit <b>3030HK</b>	6
11	lock washer	use kit <b>3030HK</b>	6

### Repair Kits

Part #	Description	Includes Item #
<b>3030RK2</b>	complete rebuild kit, EPDM flapper assembly, yoke, springs, shafts, cover gasket, bolts and washers (for 3030RD, 3030SQ, 3030TE, 3030VIC)	2, 3C, 4, 5, 6, 7, 8C, 10, 11
<b>3090RK2</b>	complete rebuild kit, silicone flapper assembly, yoke, springs, shafts, cover gasket, bolts and lock washers (for 3030RD-SSP, 3030SQ-SSP, 3030TE-SSP and 3030VIC-SSP)	2, 3A, 4, 5, 6, 7, 8A, 10, 11
<b>3091RK1</b>	complete rebuild kit, metal seal flapper assembly, yoke, springs, shafts, cover gasket, bolts and lockwashers (for 3031RD, 3031SQ, 3031TE and 3031VIC)	2, 3B, 4, 5, 6, 7, 8A, 10, 11
<b>3030HK</b>	replacement bolts and lockwashers	10, 11
<b>3030RK3</b>	replacement left and right springs	6, 7
<b>3030SK</b>	optional: anti-tamper security kit for swing check lid, 2 security bolts and wire seal	not illustrated

Product instruction sheets and technical data can be viewed on our website at [dixongroupcanada.com](http://dixongroupcanada.com) by selecting the 'Resources' menu.