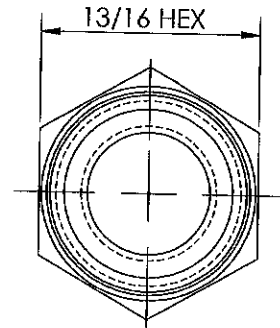
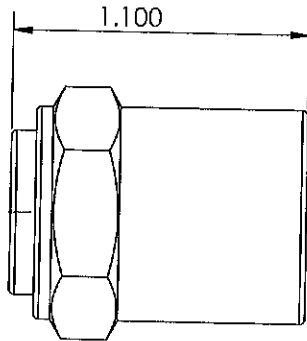
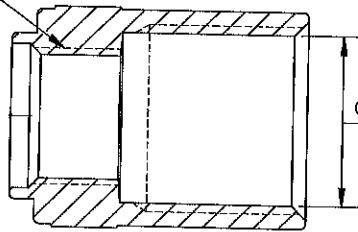


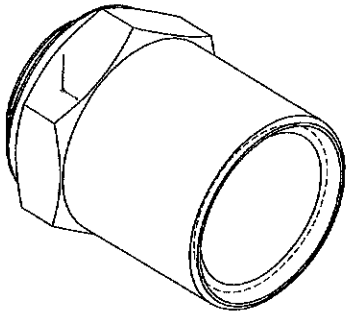
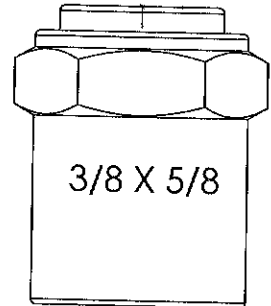
LINE DRAWING NOT FOR PRODUCTION PURPOSES




1/2 -20 UNF-2B  
HOSE I.D. 3/8

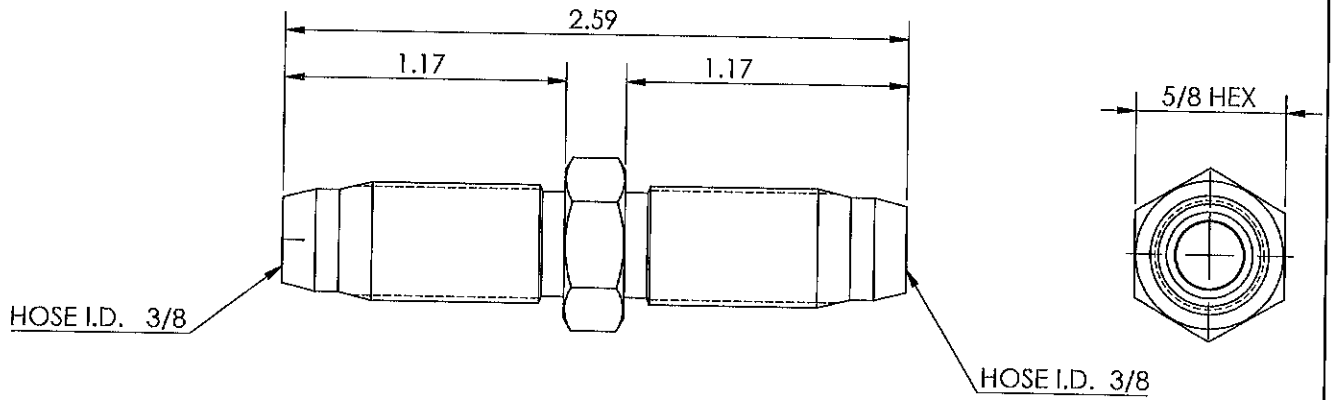


Ø HOSE O. D. 5/8

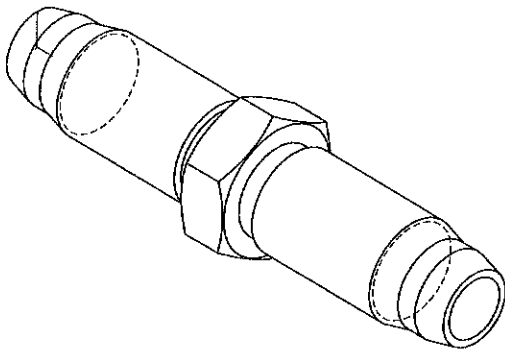



THIS DRAWING CONTAINS INFORMATION DEEMED PROPRIETARY TO DIXON BRASS AND IS TO BE USED ONLY FOR THE PURPOSE FOR WHICH IT IS SUBMITTED, AND FURTHER, SHALL NOT BE COPIED IN WHOLE OR IN PART WITHOUT EXPRESS WRITTEN PERMISSION FIRST OBTAINED FROM DIXON BRASS, UNLESS OTHERWISE SPECIFIED:			
DIMENSIONS ARE IN INCHES TOLERANCES: ANGLES: ±0°30' .X (±.015) .XX (±.010) .XXX (±.005) DIMENSIONS PER ANSI Y14.5	 The Right Connection®	DRAWN: P. MONAGHAN DATE: 4/17/15	
		APPROVED: DATE:	
TITLE: REUSABLE FERRULE		ECO NO.	
SIZE: A		DWG. NO. 1800610F	
DRAWING NOT REPRODUCED TO SCALE		REV: B	

LINE DRAWING NOT FOR PRODUCTION PURPOSES



THRU HOLE DIA. .281



<small>THIS DRAWING CONTAINS INFORMATION DEEMED PROPRIETARY TO DIXON BRASS AND IS TO BE USED ONLY FOR THE PURPOSE FOR WHICH IT IS SUBMITTED, AND FURTHER, SHALL NOT BE COPIED IN WHOLE OR IN PART WITHOUT EXPRESS WRITTEN PERMISSION FIRST OBTAINED FROM DIXON BRASS. UNLESS OTHERWISE SPECIFIED:</small>			
<small>DIMENSIONS ARE IN INCHES</small> <small>TOLERANCES:</small> <small>ANGLES: ±0°30'</small> <small>.X (±.010)</small> <small>.XX (±.010)</small> <small>.XXX (±.005)</small> <small>DIMENSIONS PER ANSI Y14.5</small>	 <b>DIXON</b> <small>The Right Connection™</small>	<b>Dixon Brass</b> Westmont, Illinois USA	
		<small>DRAWN</small> P. MONAGHAN	<small>DATE</small> 4/30/15
<small>TITLE:</small> <b>REUSABLE HOSE SPLICER</b>		<small>APPROVED</small> [Signature]	<small>DATE</small> [Blank]
<small>DRAWING NOT REPRODUCED TO SCALE</small>		<small>ECO NO.</small> [Blank]	<small>REV</small> D
<small>SIZE</small> <b>A</b>	<small>DWG. NO.</small> 1860606S		