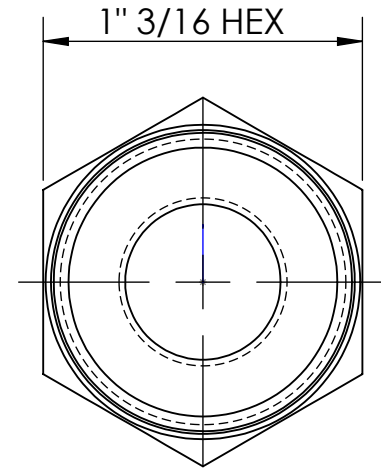
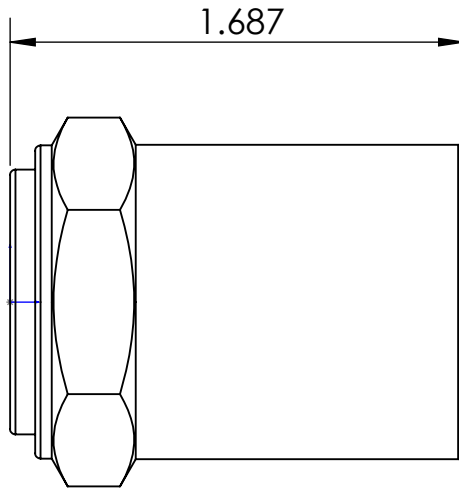
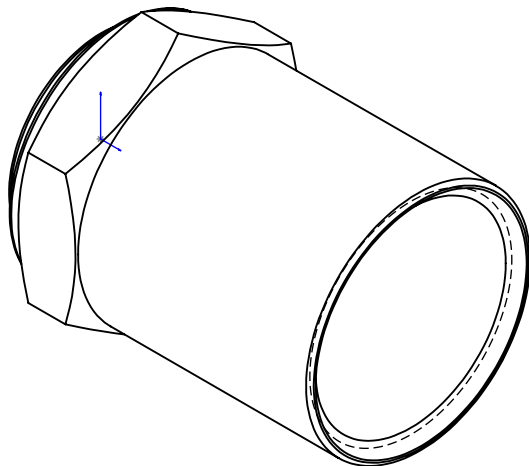
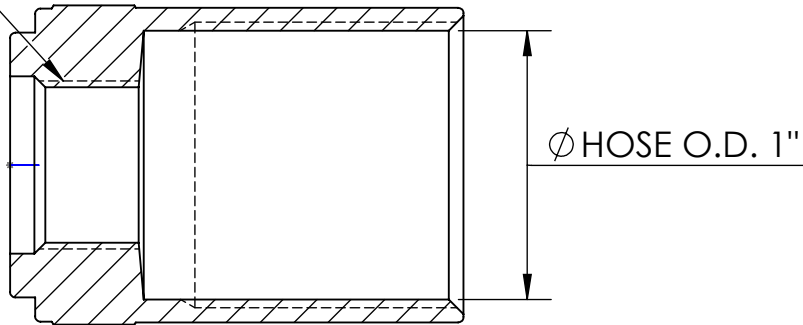



LINE DRAWING NOT FOR PRODUCTION PURPOSES



5/8 -18 UNF-2B
HOSE I.D. 1/2



THIS DRAWING CONTAINS INFORMATION DEEMED PROPRIETARY TO DIXON BRASS AND IS SO TO BE USED ONLY FOR THE PURPOSE FOR WHICH IT IS SUBMITTED, AND FURTHER, SHALL NOT BE COPIED IN WHOLE OR IN PART WITHOUT EXPRESS WRITTEN PERMISSION FIRST OBTAINED FROM DIXON BRASS.			
UNLESS OTHERWISE SPECIFIED:		 The Right Connection™	Dixon Brass Westmont, Illinois USA
DIMENSIONS ARE IN INCHES TOLERANCES: ANGLES: ±0°30' .X (±.015) .XX (±.010) .XXX (±.005) DIMENSIONS PER ANSI Y14.5			
TITLE:		DRAWING NOT REPRODUCED TO SCALE	
SIZE		DWG. NO.	REV
A		1800816F	C