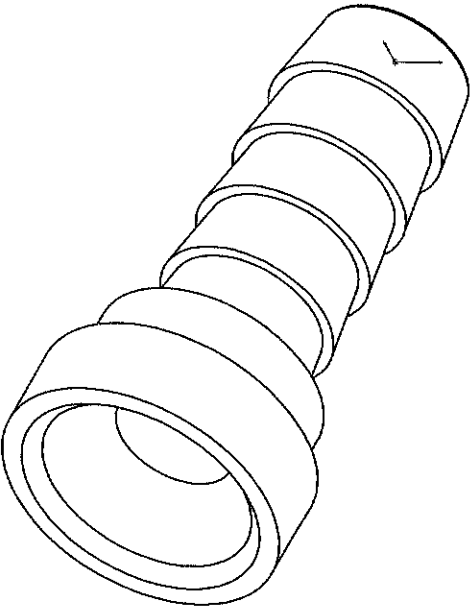
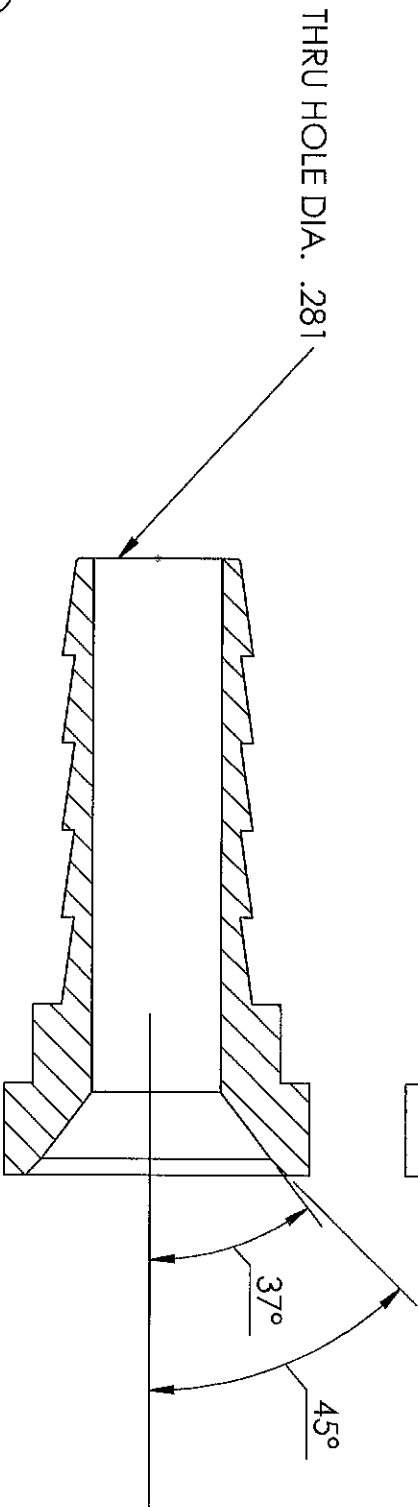
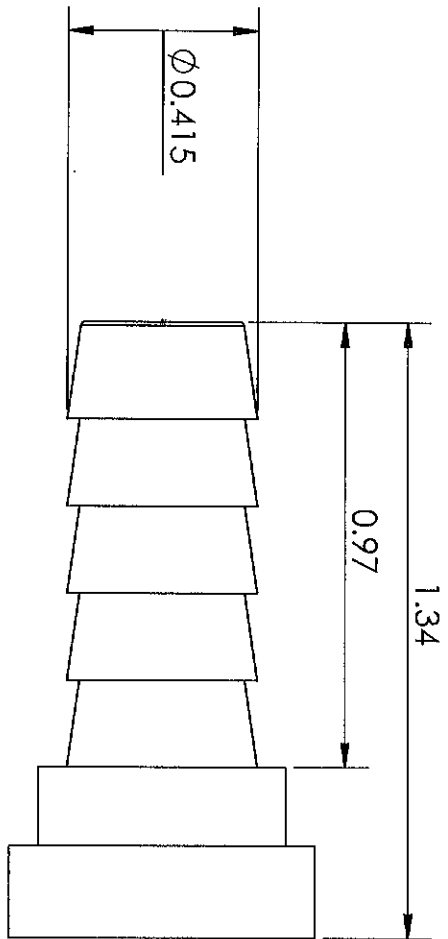


LINE DRAWING NOT FOR PRODUCTION PURPOSES



THIS DRAWING CONTAINS INFORMATION DEEMED PROPRIETARY TO DIXON BRASS AND IS SO TO BE USED ONLY FOR THE PURPOSE FOR WHICH IT IS SUBMITTED, AND FURTHER, SHALL NOT BE COPIED IN WHOLE OR IN PART WITHOUT EXPRESS WRITTEN PERMISSION FIRST OBTAINED FROM DIXON BRASS. UNLESS OTHERWISE SPECIFIED:

DIMENSIONS ARE IN INCHES

TOLERANCES:

ANGLES:  $+0^\circ 30'$

X ( $\pm .015$ )

XX ( $\pm .010$ )

XXX ( $\pm .005$ )

DIMENSIONS PER ANSI Y14.5



**Dixon Brass**  
Westmont, Illinois USA

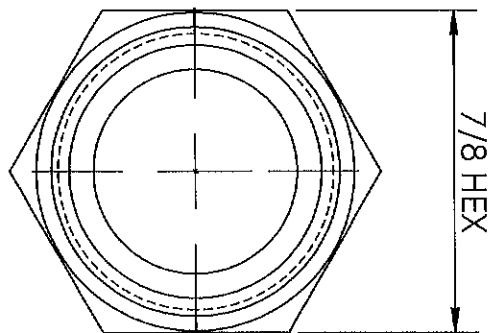
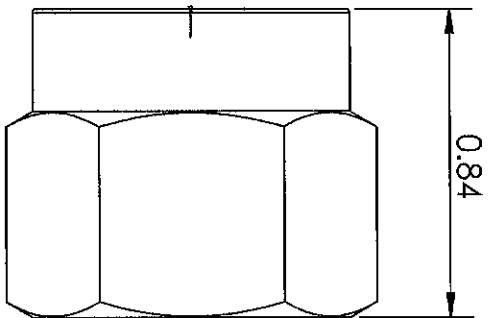
TITLE: FEMALE SWIVEL STEM  
DUAL ANGLE SEAT

DATE	3/17/14
DRAWN	P. MONAGHAN
APPROVED	
DATE	
ECO NO.	

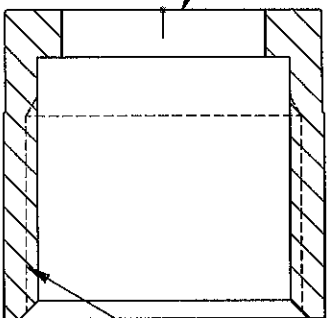
SIZE	A
DWG. NO.	1430612S
REV	D

DRAWING NOT REPRODUCED TO SCALE

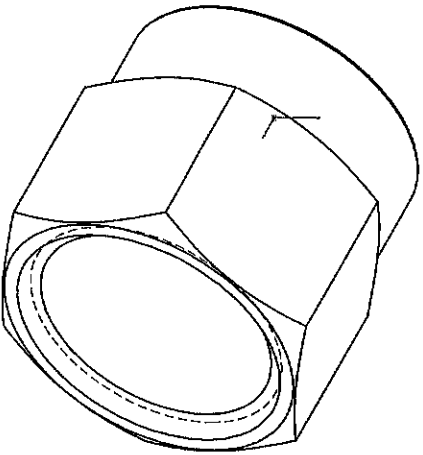
LINE DRAWING NOT FOR PRODUCTION PURPOSES



THRU HOLE DIA.  
0.555  
0.550



3/4 - 16 UNF  
THREAD



THIS DRAWING CONTAINS INFORMATION DEEMED PROPRIETARY TO DIXON BRASS AND IS SO TO BE USED ONLY FOR THE PURPOSE FOR WHICH IT IS SUBMITTED, AND FURTHER, SHALL NOT BE COPIED IN WHOLE OR IN PART WITHOUT EXPRESS WRITTEN PERMISSION FIRST OBTAINED FROM DIXON BRASS.

UNLESS OTHERWISE SPECIFIED:

DIMENSIONS ARE IN INCHES

TOLERANCES:

ANGLES: ±0°30'

.X (±0.15)

.XX (±0.10)

.XXX (±0.05)

DIMENSIONS PER ANSI Y14.5



**Dixon Brass**  
Westmont, Illinois USA

TITLE:

SAE FEMALE SWIVEL NUT

DATE	5/20/14
DRAWN	P. MONAGHAN
APPROVED	
ECO NO.	

DRAWING NOT REPRODUCED TO SCALE

SIZE	DWG. NO.
A	1440612N

REV	C
-----	---