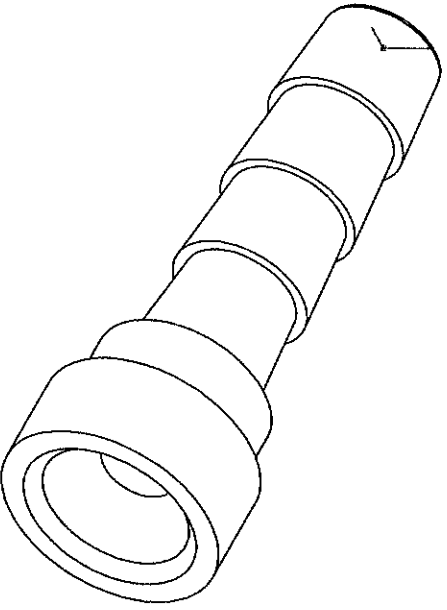
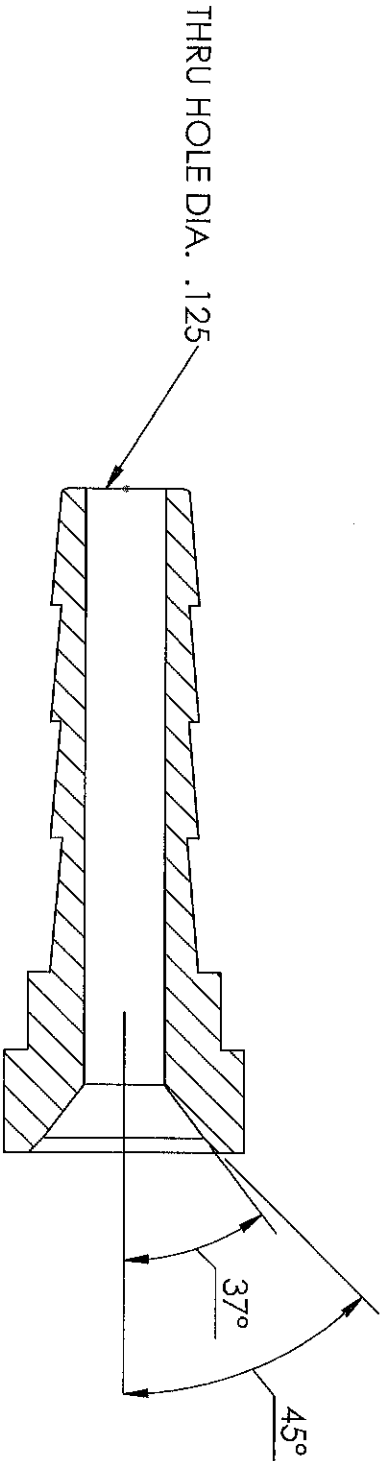
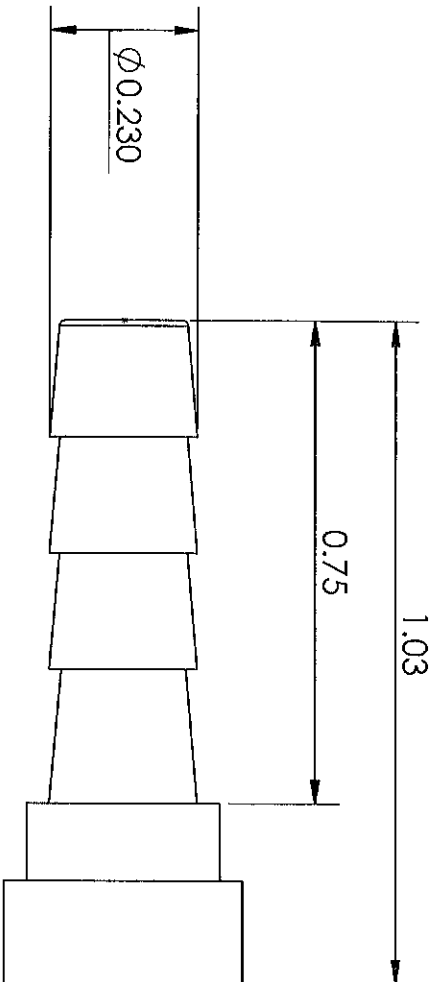


LINE DRAWING NOT FOR PRODUCTION PURPOSES



THIS DRAWING CONTAINS INFORMATION DEEMED PROPRIETARY TO DIXON BRASS AND IS SO TO BE USED ONLY FOR THE PURPOSE FOR WHICH IT IS SUBMITTED, AND FURTHER, SHALL NOT BE COPIED IN WHOLE OR IN PART WITHOUT EXPRESS WRITTEN PERMISSION FIRST OBTAINED FROM DIXON BRASS. UNLESS OTHERWISE SPECIFIED:

DIMENSIONS ARE IN INCHES

TOLERANCES:

X ($\pm .015$)

XX ($\pm .010$)

XXX ($\pm .005$)

DIMENSIONS PER ANSI Y14.5



Dixon Brass
Westmont, Illinois USA

DRAWN: P. MONAGHAN DATE: 3/10/14

APPROVED: DATE:

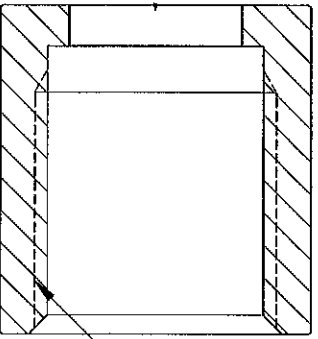
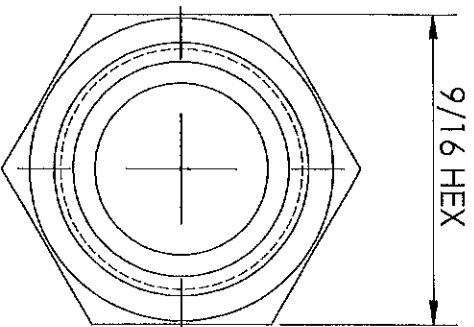
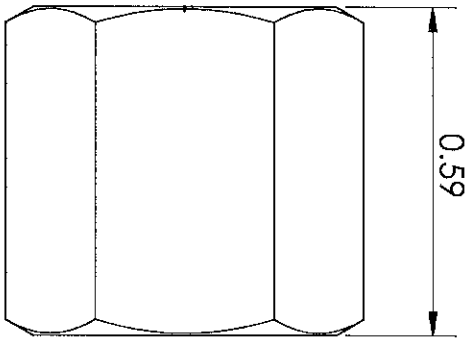
ECO NO.:

TITLE: FEMALE SWIVEL STEM
DUAL ANGLE SEAT

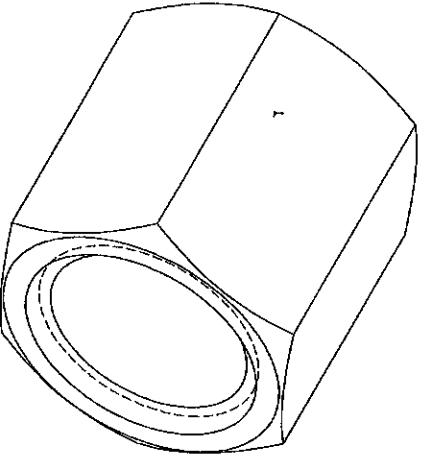
SIZE: A
DWG. NO.: 1430307S
REV: F

DRAWING NOT REDUCED TO SCALE

LINE DRAWING NOT FOR PRODUCTION PURPOSES



7/16 - 20 UNF
THREAD



THIS DRAWING CONTAINS INFORMATION DEEMED PROPRIETARY TO DIXON BRASS AND IS SO TO BE USED ONLY FOR THE PURPOSE FOR WHICH IT IS SUBMITTED, AND FURTHER, SHALL NOT BE COPIED IN WHOLE OR IN PART WITHOUT EXPRESS WRITTEN PERMISSION FIRST OBTAINED FROM DIXON BRASS. UNLESS OTHERWISE SPECIFIED:

DIMENSIONS ARE IN INCHES

TOLERANCES:

ANGLES: ±0° 30'

X (±.015)

.XX (±.010)

.XXX (±.005)

DIMENSIONS PER ANSI Y14.5



Dixon Brass
Westmont, Illinois USA

TITLE:

SAE FEMALE SWIVEL NUT

DRAWN: P. MONAGHAN DATE: 5/20/14

APPROVED: DATE:

ECO NO.:

DRAWING NOT REPRODUCED TO SCALE

SIZE	DWG. NO.	REV
A	1440307N	E